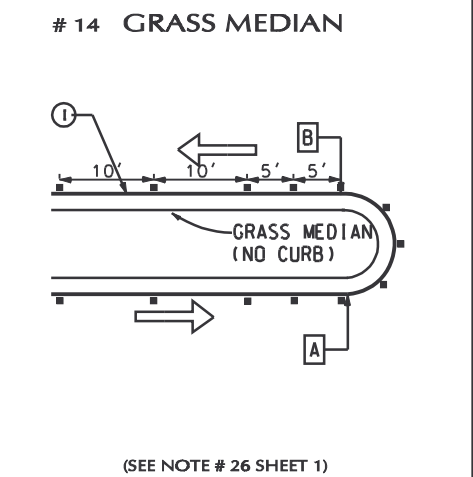
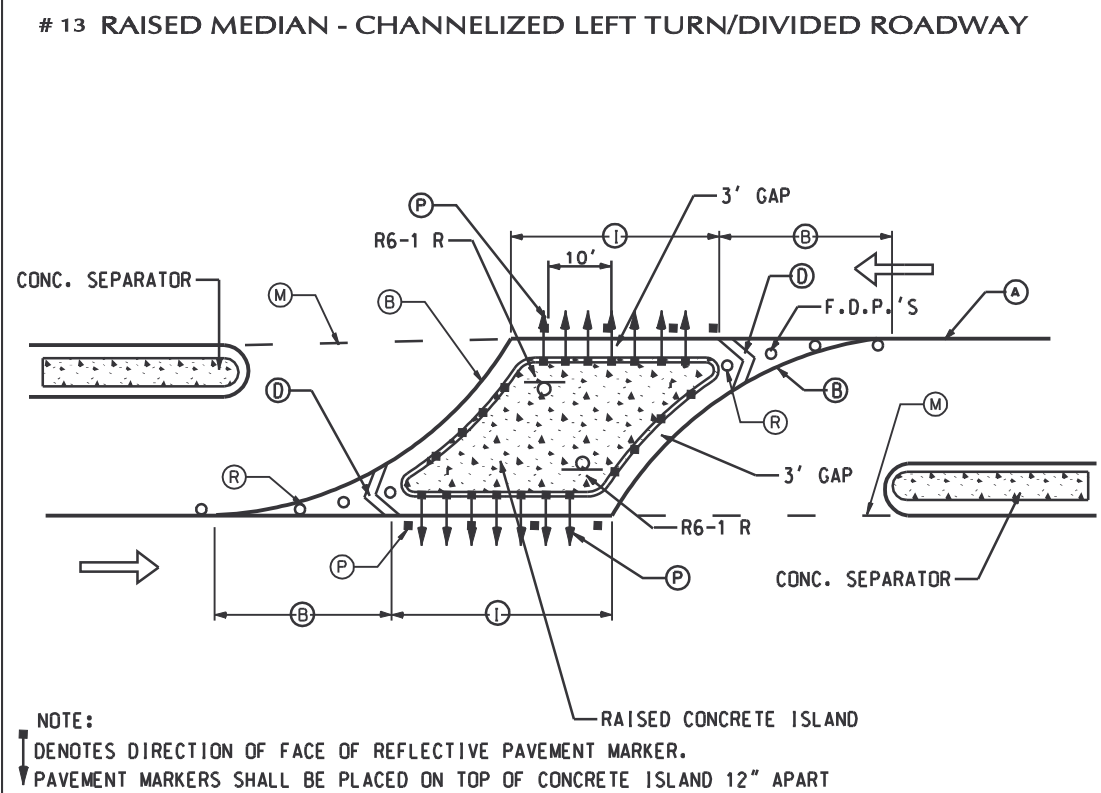
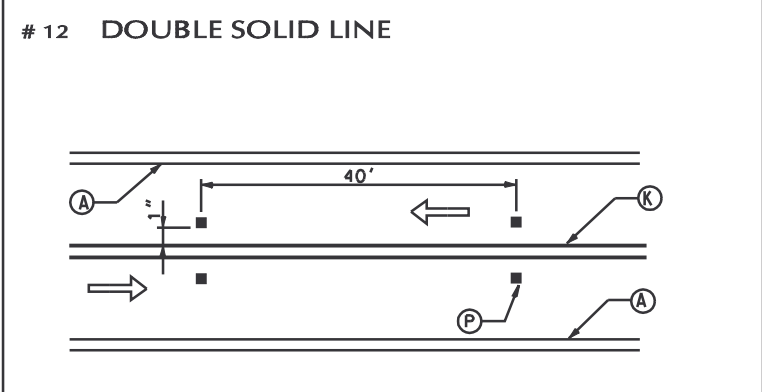
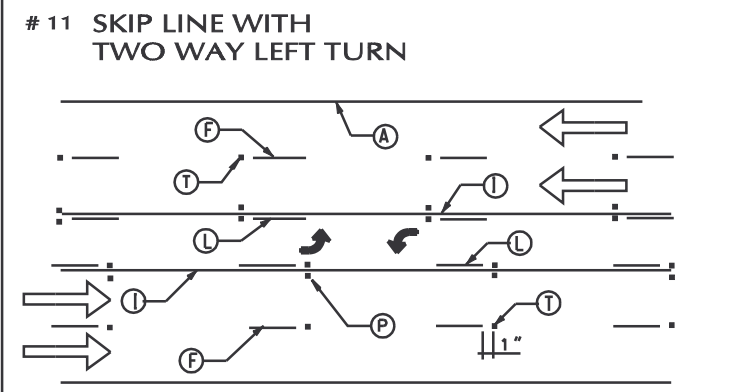
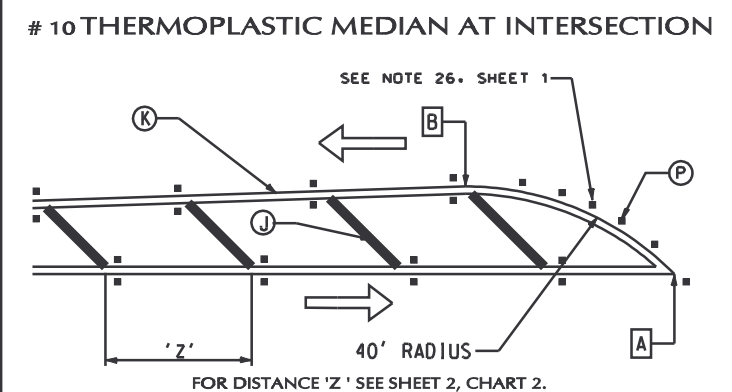
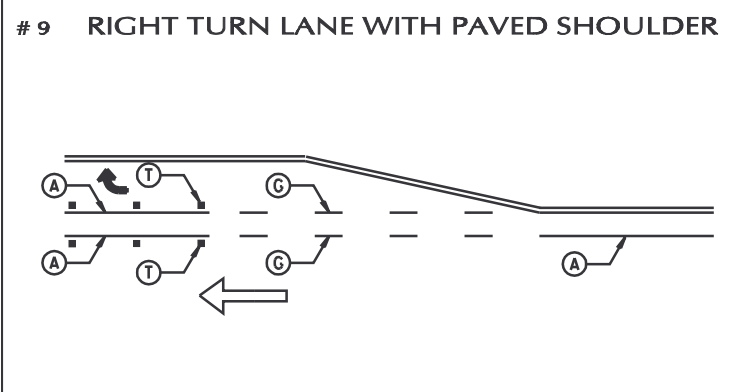
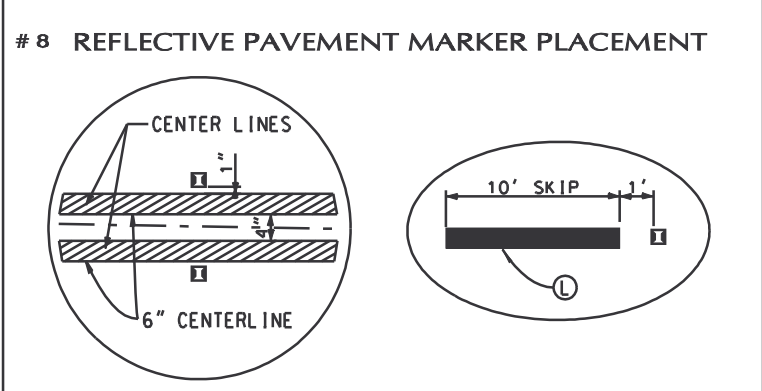


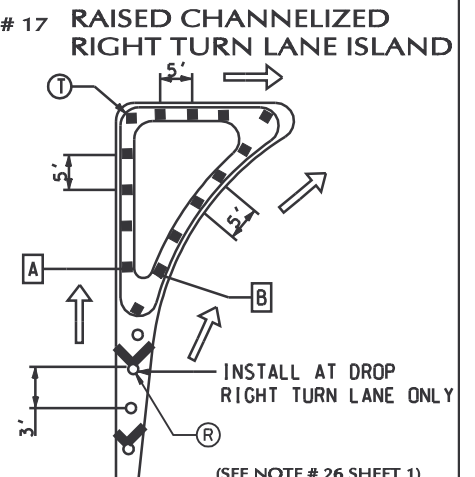
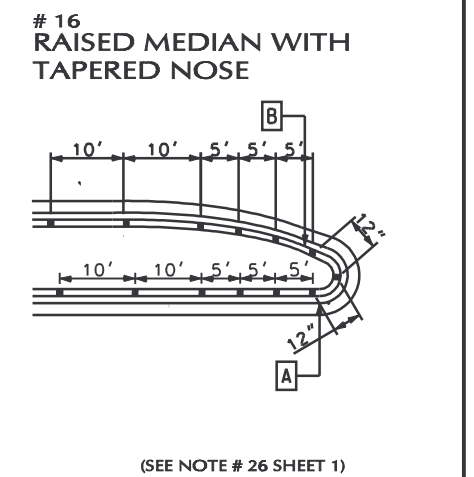
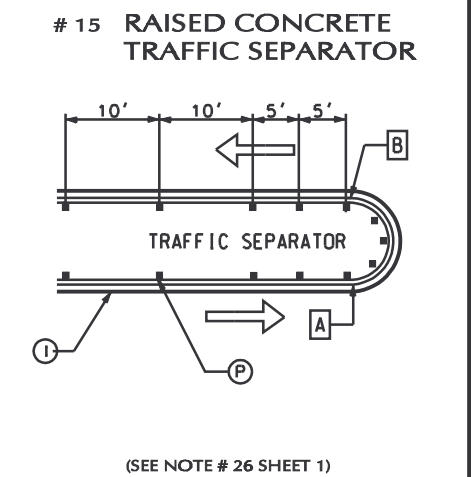
7

LEFT FOR FUTURE USE



STRIPING KEY

A = 6" SOLID WHITE	R = FDP WHITE
B = 8" SOLID WHITE	S = FDP YELLOW
C = 12" SOLID WHITE	T = RPM BI-DIRECTIONAL WHITE/RED
D = 18" SOLID WHITE	
E = 24" SOLID WHITE	
F = 6" SKIP WHITE TYP (10'-30')	
G = 6" SKIP WHITE TYP (6'-10')	
H = 6" SKIP WHITE TYP (2'-4')	
I = 6" SOLID YELLOW	U = RPM BI-DIRECTIONAL RED/YELLOW
J = 18" SOLID YELLOW	
K = 6" DOUBLE YELLOW	
L = 6" SKIP YELLOW TYP (10'-30')	
M = 6" SKIP YELLOW TYP (6'-10')	
N = 6" SKIP YELLOW TYP (2'-4')	
P = RPM BI-DIRECTIONAL AMBER/AMBER	



NO.	DATE	REVISIONS	BY	APP.

PALM BEACH COUNTY, FLORIDA
TRAFFIC DIVISION
TYPICAL

REFLECTIVE PAVEMENT MARKER PLACEMENT DETAILS

BOGDAN T. PIORKOWSKI REGISTERED ENGINEER		DAN I. WEISBERG TRAFFIC DIRECTOR	
NAME	DATE	SCALE	CONTRACT NO.
CGT	1-27-2004		
DRAWN BY		DRAWING	T-P-06-001
TRACED BY			
CHECKED BY			

SHEET 4 OF 19 SHEETS