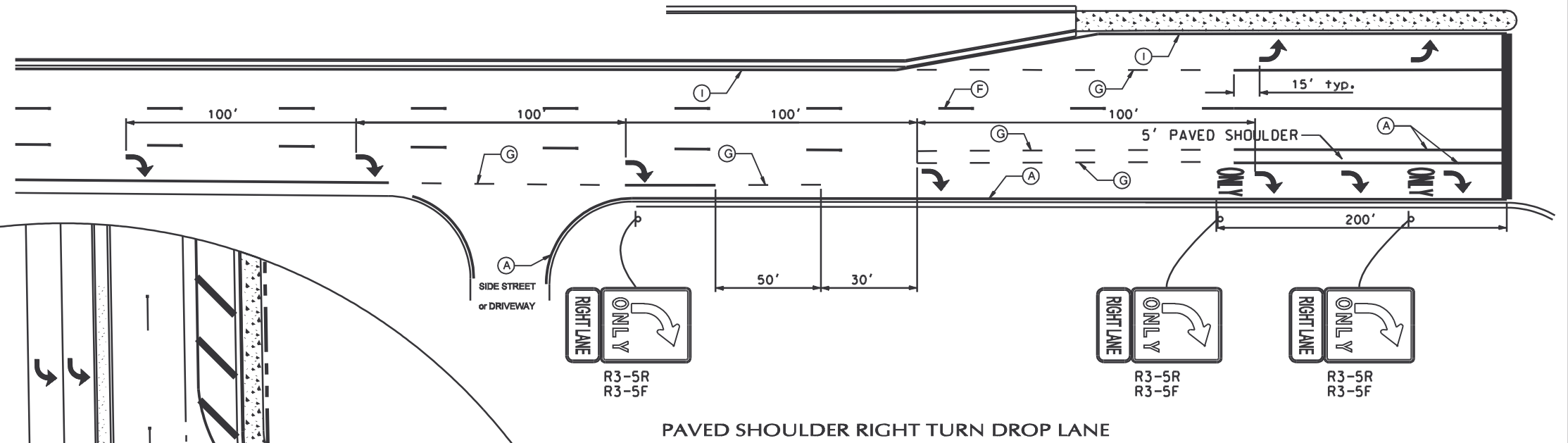
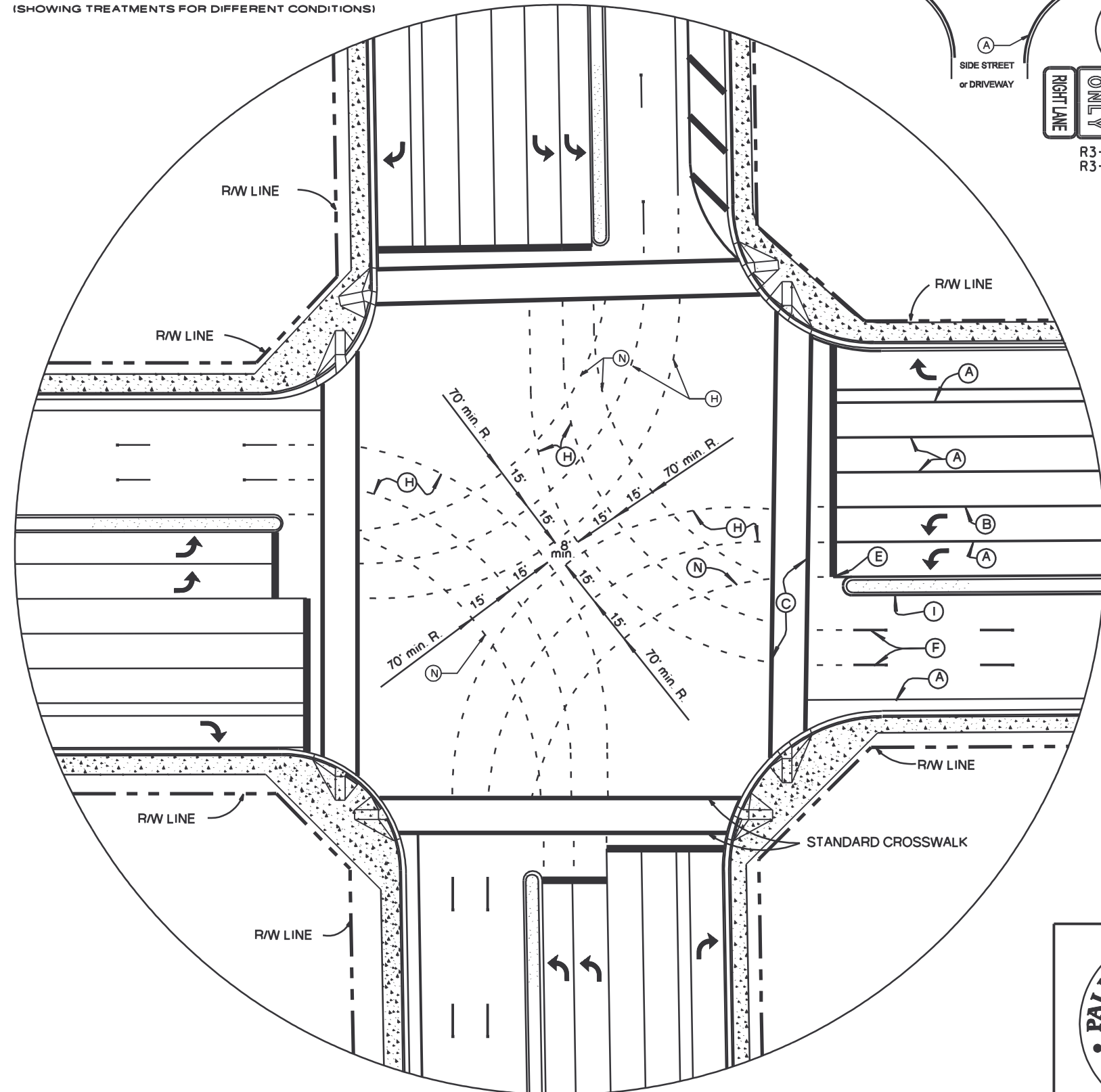
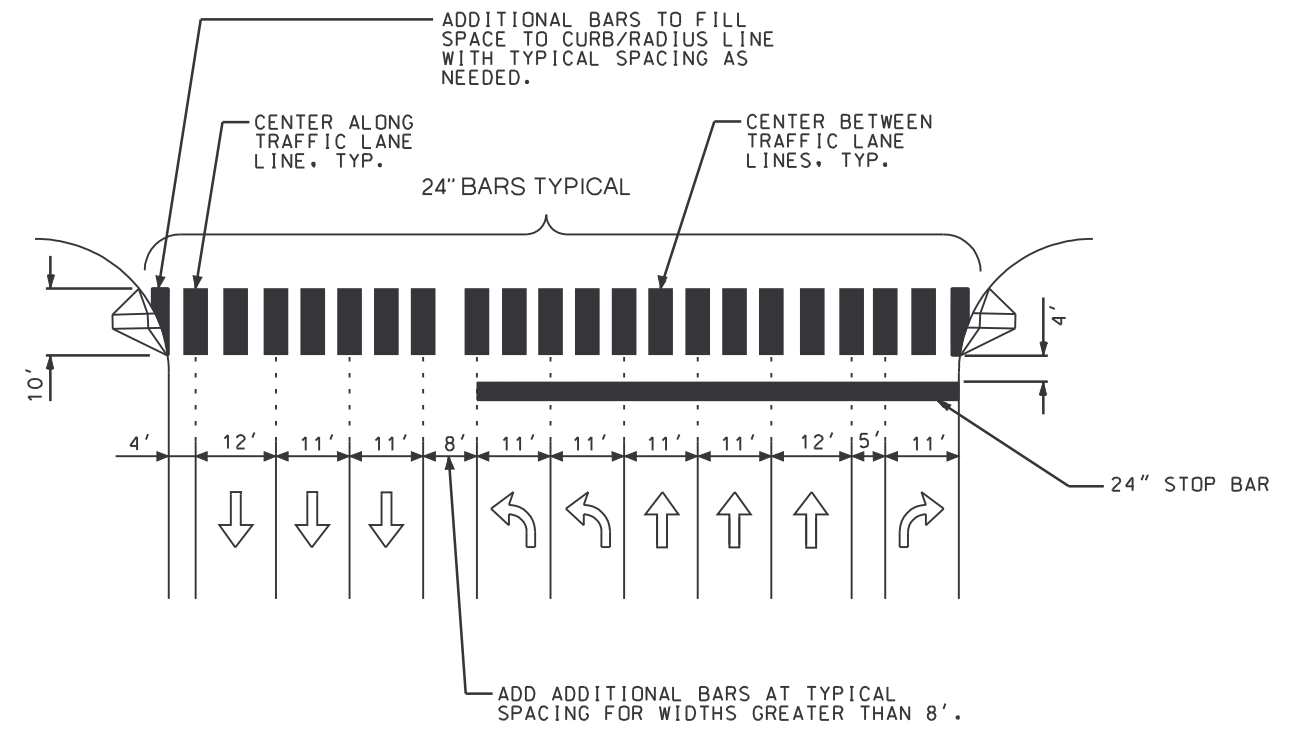



EXPANDED INTERSECTION
(SHOWING TREATMENTS FOR DIFFERENT CONDITIONS)



PAVED SHOULDER RIGHT TURN DROP LANE



EUROPEAN SCHOOL CROSSWALK



PALM BEACH COUNTY, FLORIDA			
TRAFFIC DIVISION			
TYPICAL			
EXPANDED INTERSECTION AND DROP TURN LANE DETAILS			
BOGDAN T. PIORKOWSKI REGISTERED ENGINEER		DAN I. WEISBERG TRAFFIC DIRECTOR	
NAME	DATE	SCALE	CONTRACT NO.
CGT	1-27-2004	N.T.S.	
DRAWN BY		DRAWING	T-P-06-001
TRACED BY			
CHECKED BY			

NO.	DATE	REVISIONS	BY	APP.