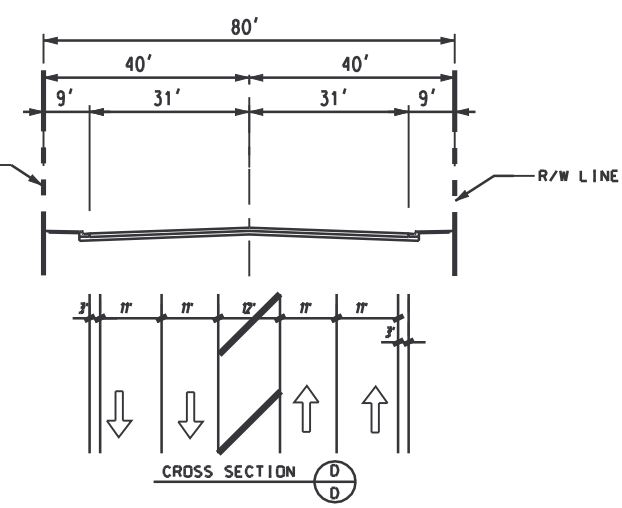
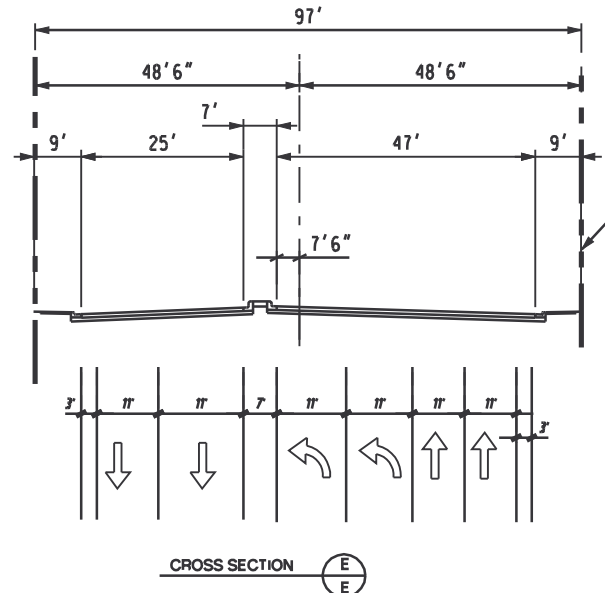
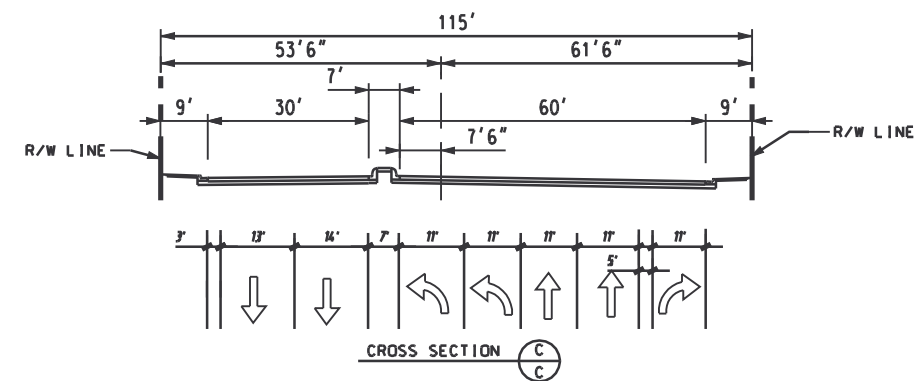
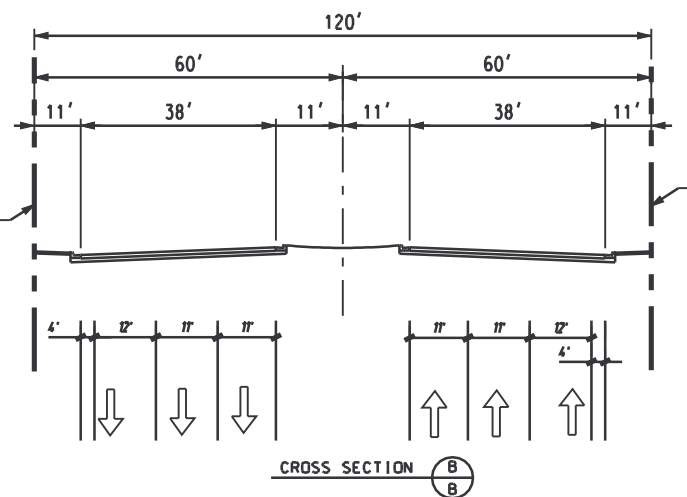
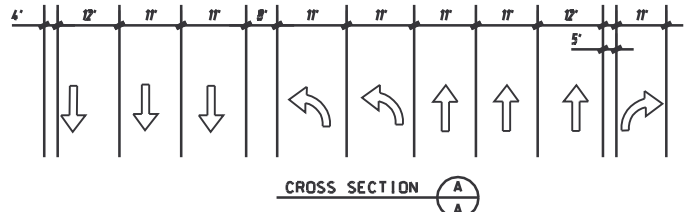
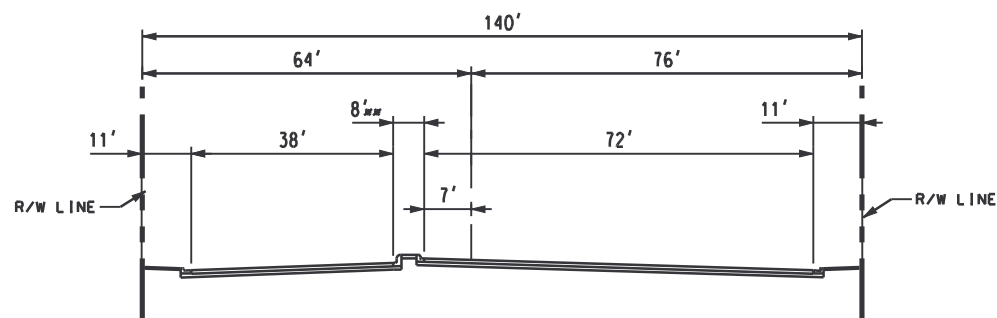
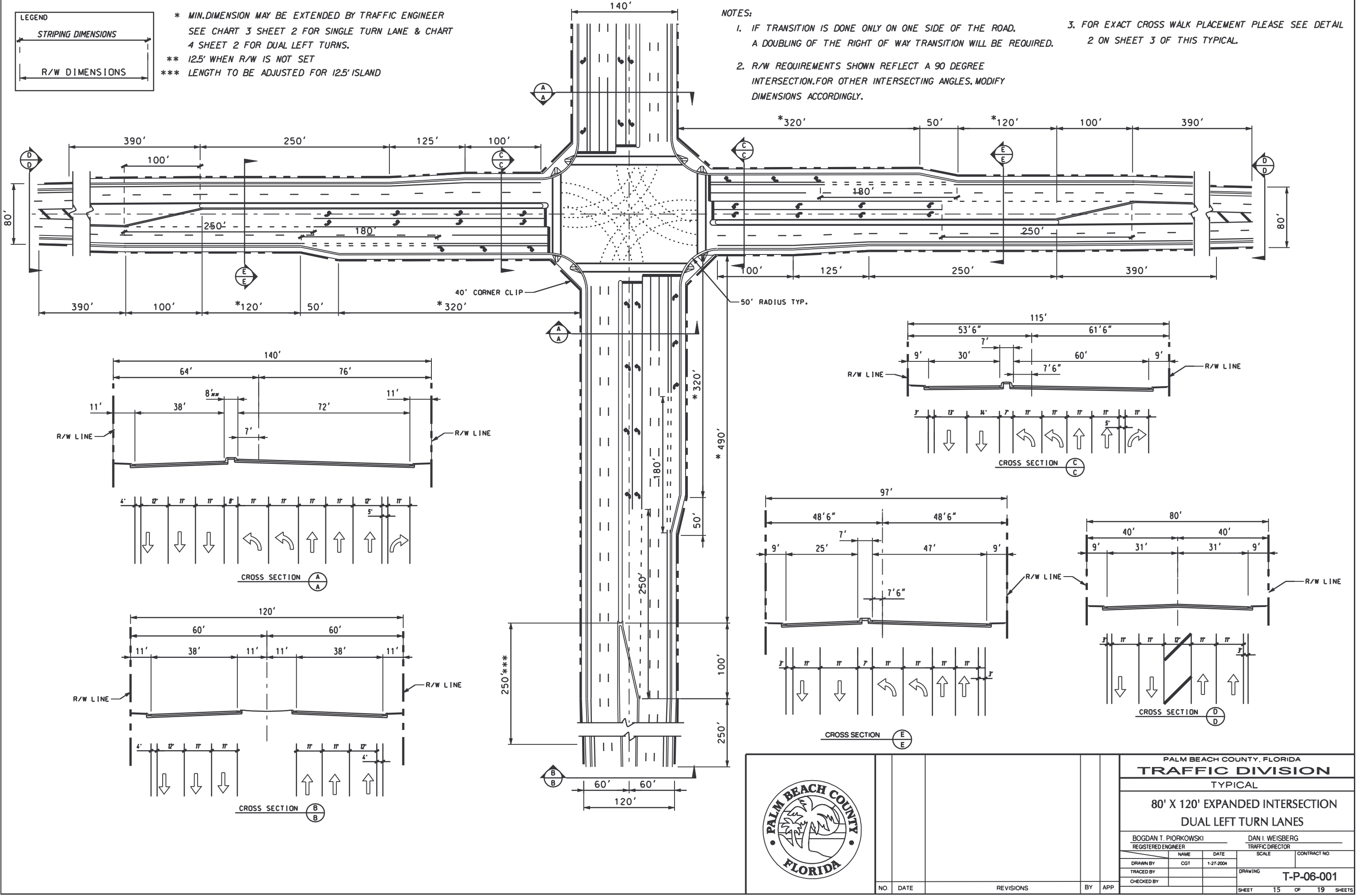


* MIN. DIMENSION MAY BE EXTENDED BY TRAFFIC ENGINEER
SEE CHART 3 SHEET 2 FOR SINGLE TURN LANE & CHART
4 SHEET 2 FOR DUAL LEFT TURNS.
** 12.5' WHEN R/W IS NOT SET
*** LENGTH TO BE ADJUSTED FOR 12.5' ISLAND

NOTES:

- IF TRANSITION IS DONE ONLY ON ONE SIDE OF THE ROAD, A DOUBLING OF THE RIGHT OF WAY TRANSITION WILL BE REQUIRED.
- R/W REQUIREMENTS SHOWN REFLECT A 90 DEGREE INTERSECTION. FOR OTHER INTERSECTING ANGLES, MODIFY DIMENSIONS ACCORDINGLY.
- FOR EXACT CROSS WALK PLACEMENT PLEASE SEE DETAIL 2 ON SHEET 3 OF THIS TYPICAL.



PALM BEACH COUNTY, FLORIDA
TRAFFIC DIVISION
TYPICAL

**80' X 120' EXPANDED INTERSECTION
DUAL LEFT TURN LANES**

BOGDAN T. PIORKOWSKI DAN I. WEISBERG
REGISTERED ENGINEER TRAFFIC DIRECTOR

DRAWN BY	CGT	DATE	1-27-2004
TRACED BY		DRAWING	T-P-06-001
CHECKED BY		SHEET	15 OF 19 SHEETS

NO.	DATE	REVISIONS	BY	APP.