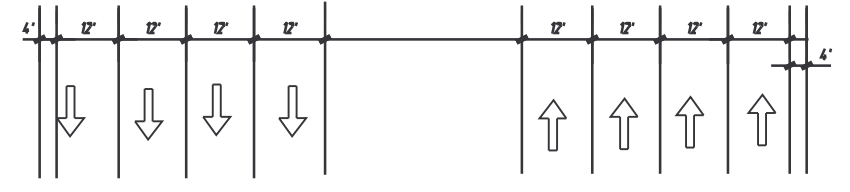
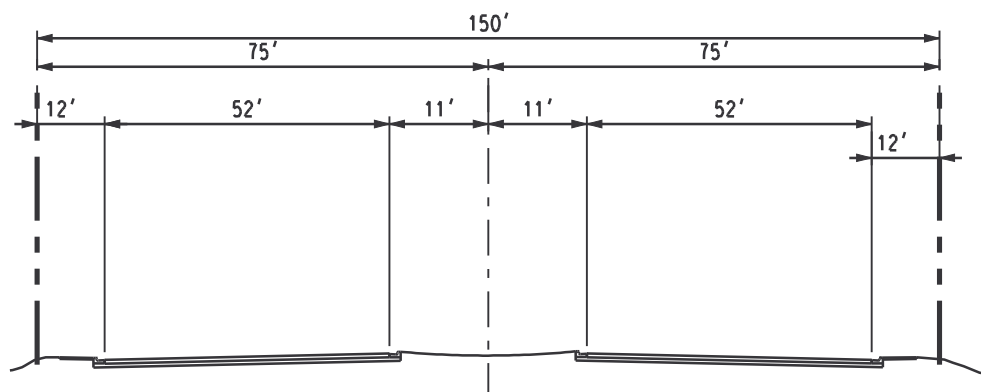


CROSS SECTION A
A



CROSS SECTION B
B

- NOTES:
- IF TRANSITION IS DONE ONLY ON ONE SIDE OF THE ROAD, A DOUBLING OF THE RIGHT OF WAY TRANSITION WILL BE REQUIRED.
 - R/W REQUIREMENTS SHOWN REFLECT A 90 DEGREE INTERSECTION. FOR OTHER INTERSECTING ANGLES, MODIFY DIMENSIONS ACCORDINGLY.
 - FOR EXACT CROSS WALK PLACEMENT PLEASE SEE DETAIL * 2 ON SHEET 3 OF THIS TYPICAL.

* MIN. DIMENSION MAY BE EXTENDED BY TRAFFIC ENGINEER
 SEE CHART * 3 SHEET 2 FOR SINGLE TURN LANE & CHART * 4 SHEET 2 FOR DUAL LEFT TURNS.

| | | | | |
|---|---|-------------------------------------|---------|--------------|
| | PALM BEACH COUNTY, FLORIDA | | | |
| | TRAFFIC DIVISION | | | |
| | TYPICAL | | | |
| | 8 LANES EXPANDED INTERSECTION WITH CURB & GUTTER | | | |
| BOGDAN T. PIORKOWSKI REGISTERED ENGINEER | | DAN I. WEISBERG TRAFFIC DIRECTOR | | |
| DRAWN BY | NAME | DATE | SCALE | CONTRACT NO. |
| TRACED BY | CGT | 1-27-2004 | N.T.S. | |
| CHECKED BY | | | DRAWING | T-P-06-001 |
| NO. | DATE | REVISIONS | BY | APP. |
| | | | | |
| SHEET 19 OF 19 SHEETS | | | | |