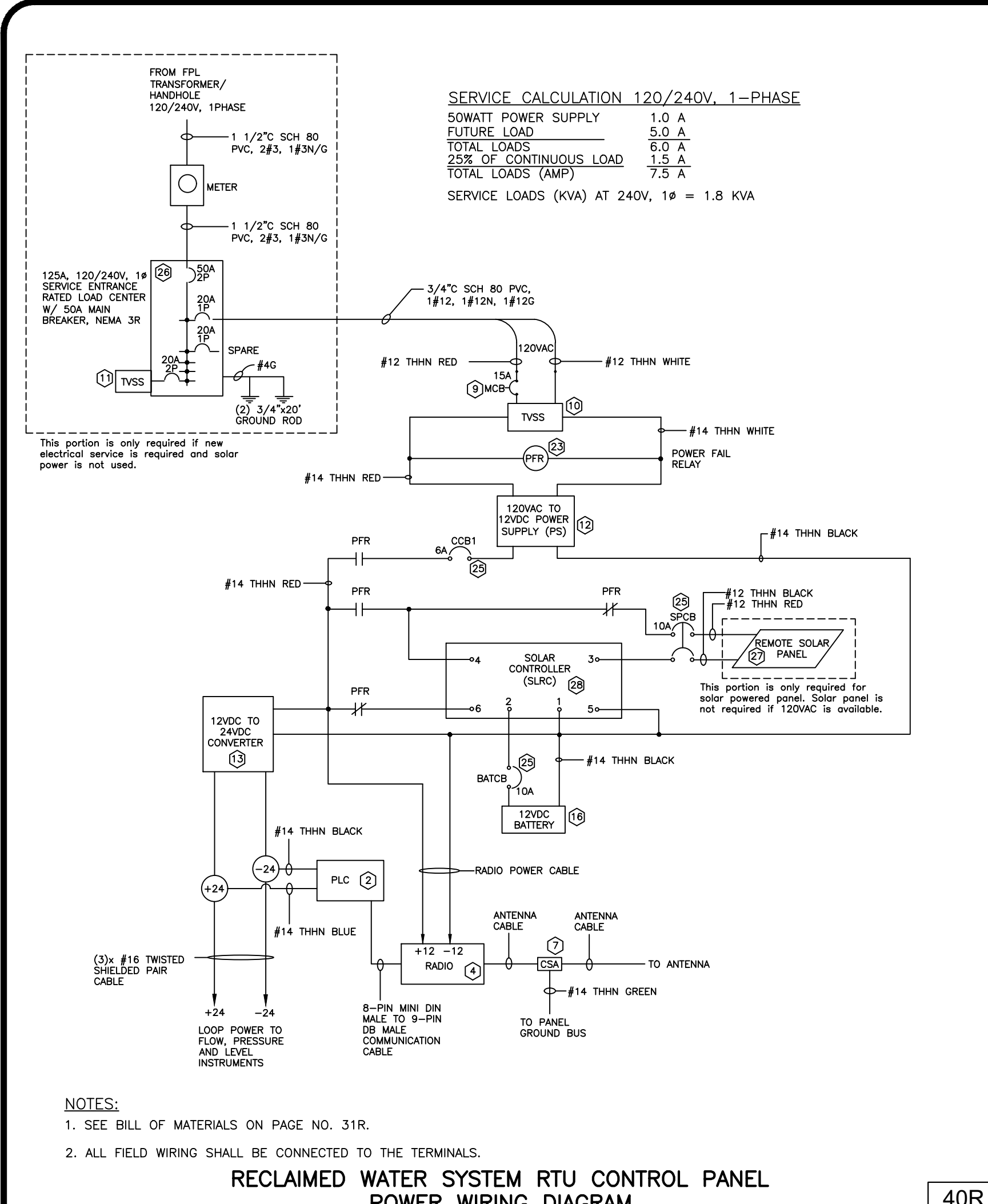


NO.	DATE	REVISION / REMARKS
J.L.	JUNE 2019	GENERAL REVISION
J.L.	JAN 2023	GENERAL REVISION

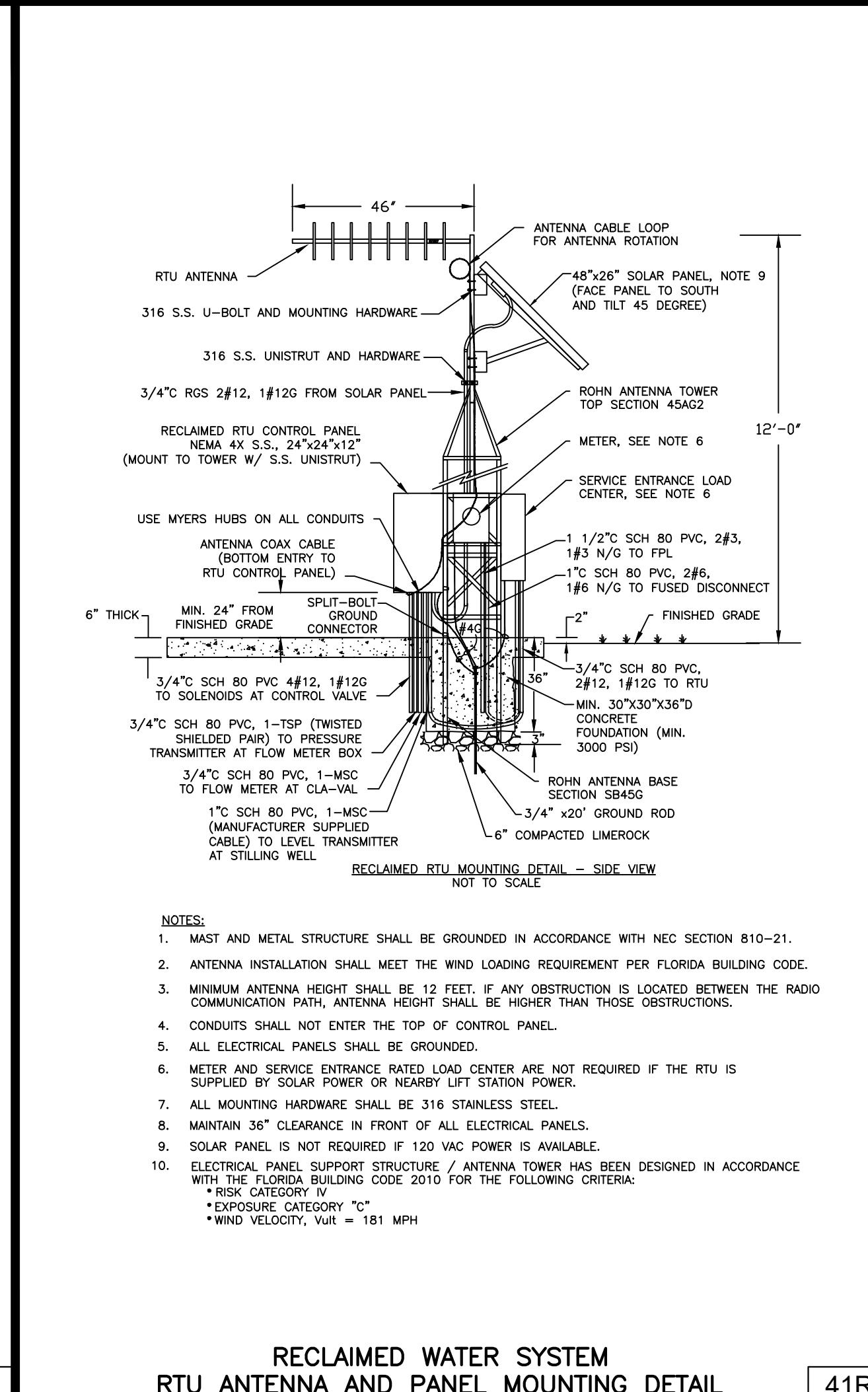
**STD DETAILS**

SHEET NUMBER  
0  
OF  
0

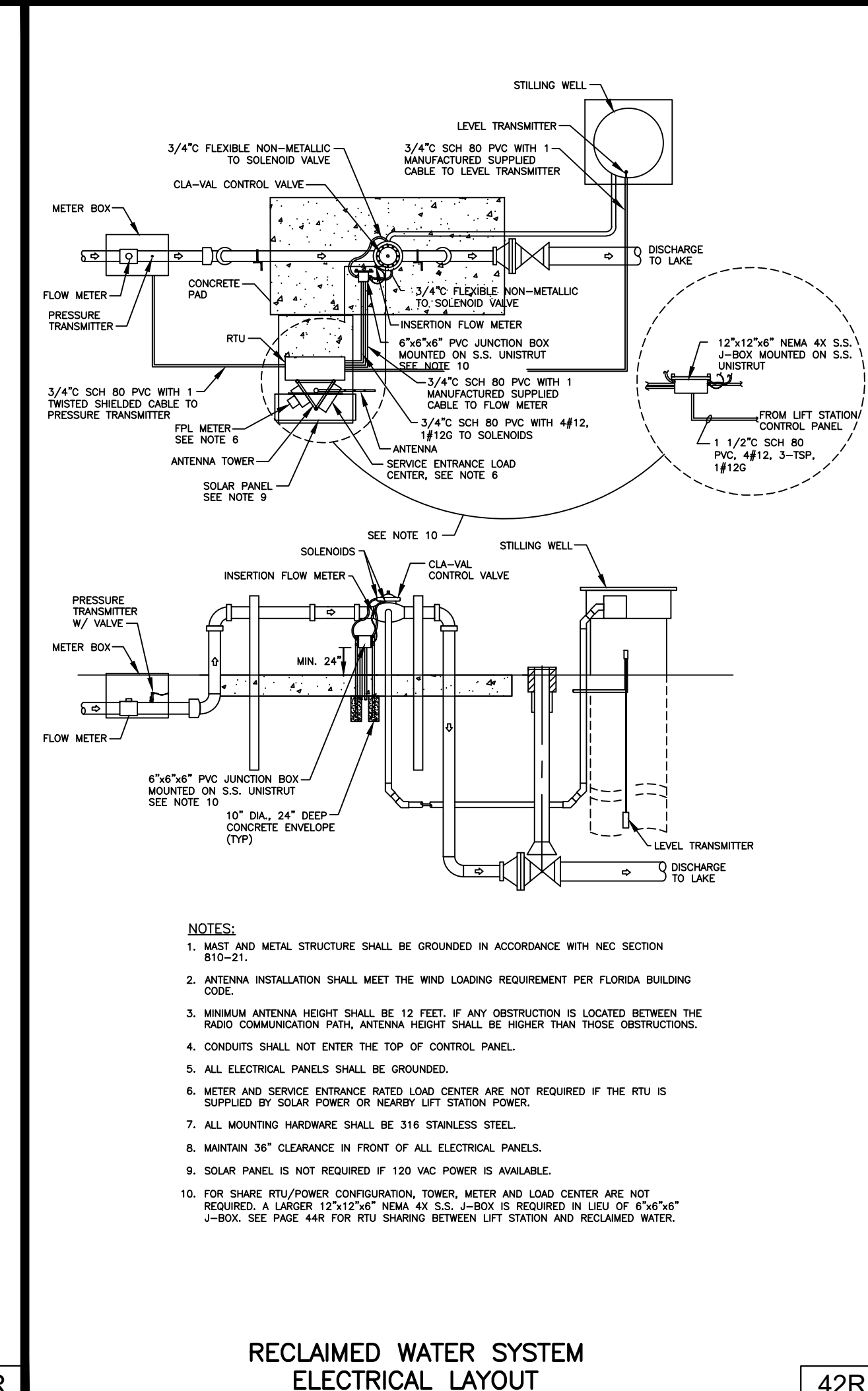
SEAL



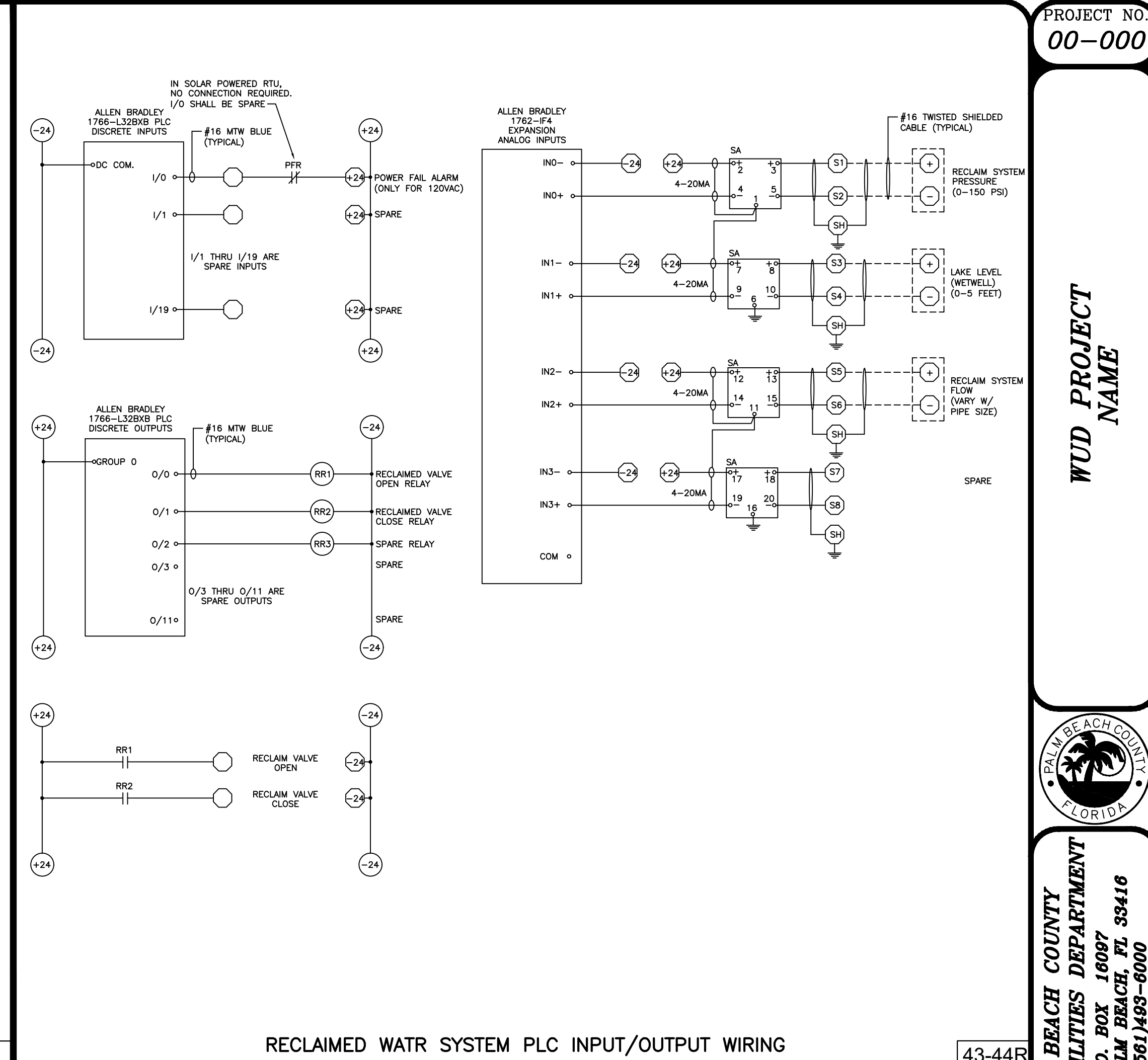
RECLAIMED WATER SYSTEM RTU CONTROL PANEL POWER WIRING DIAGRAM 40R



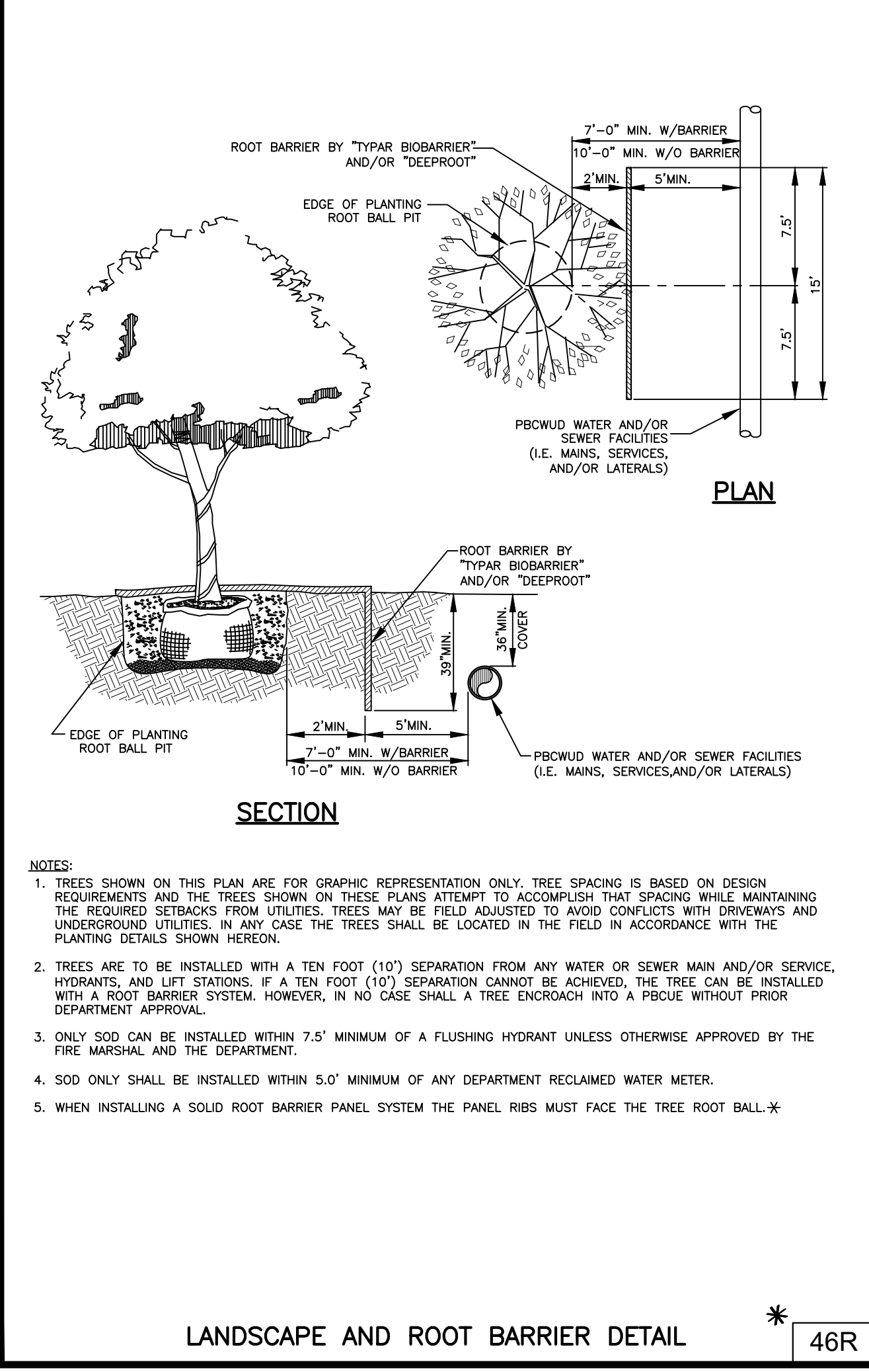
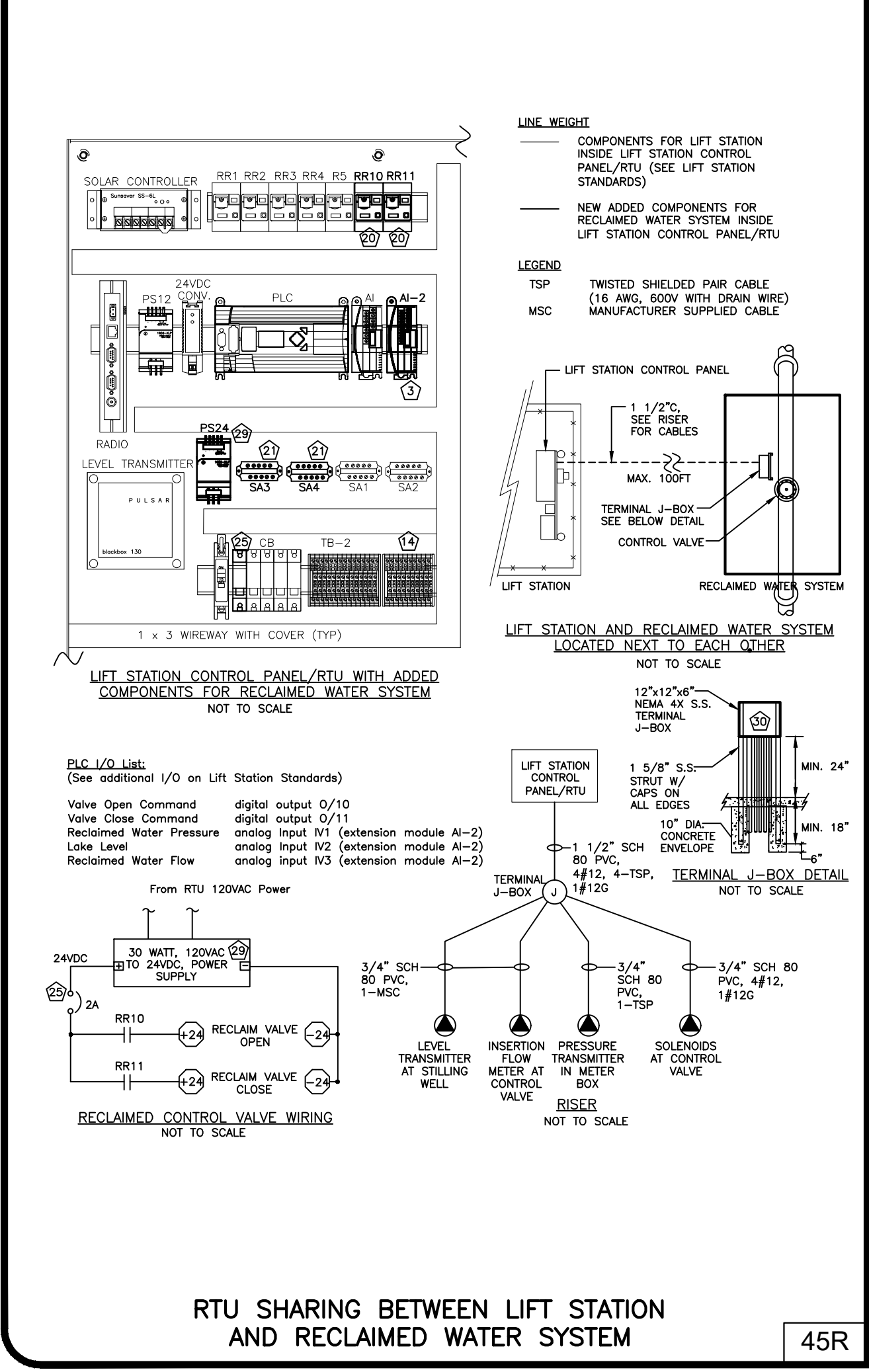
RECLAIMED WATER SYSTEM RTU ANTENNA AND PANEL MOUNTING DETAIL 41R



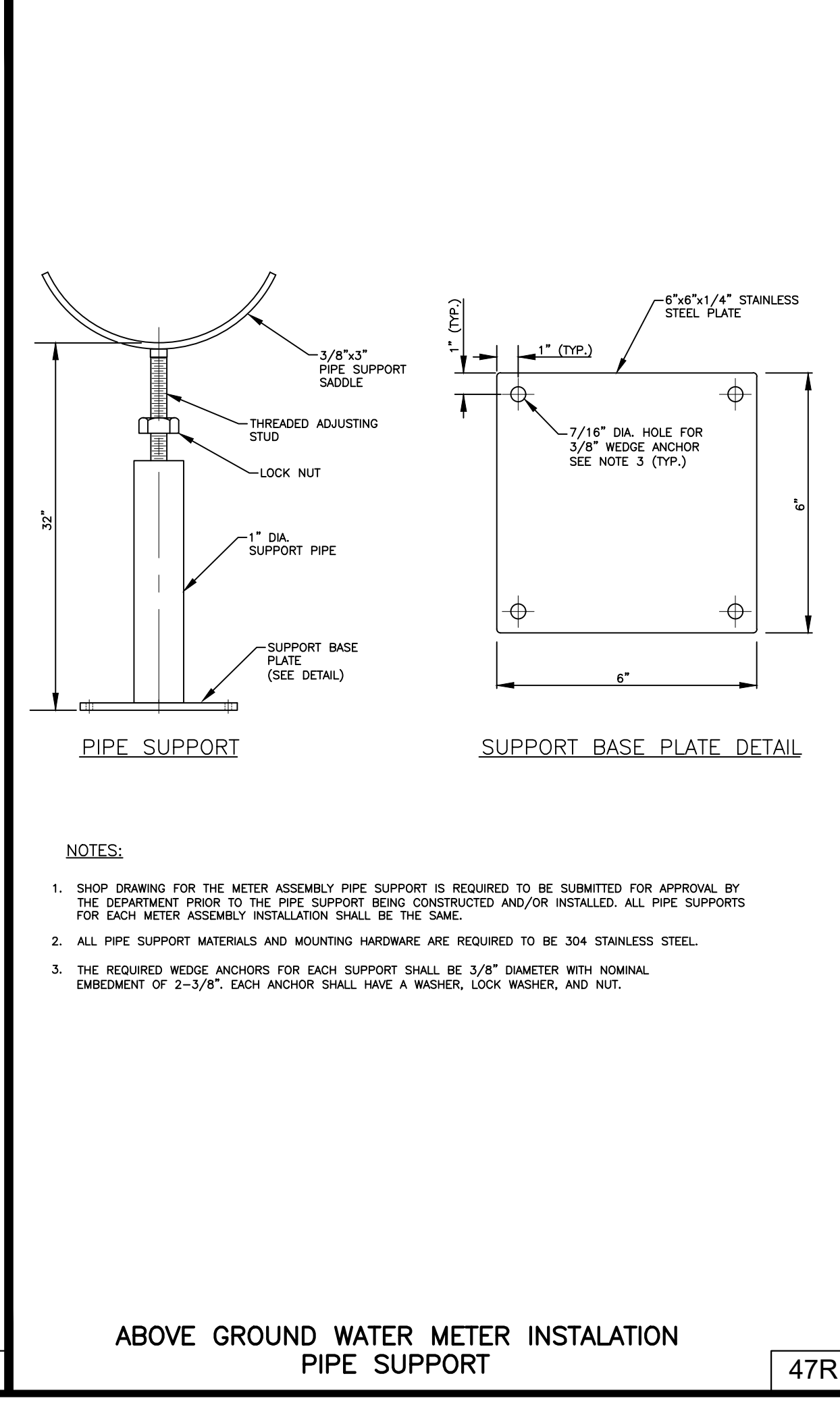
RECLAIMED WATER SYSTEM ELECTRICAL LAYOUT 42R



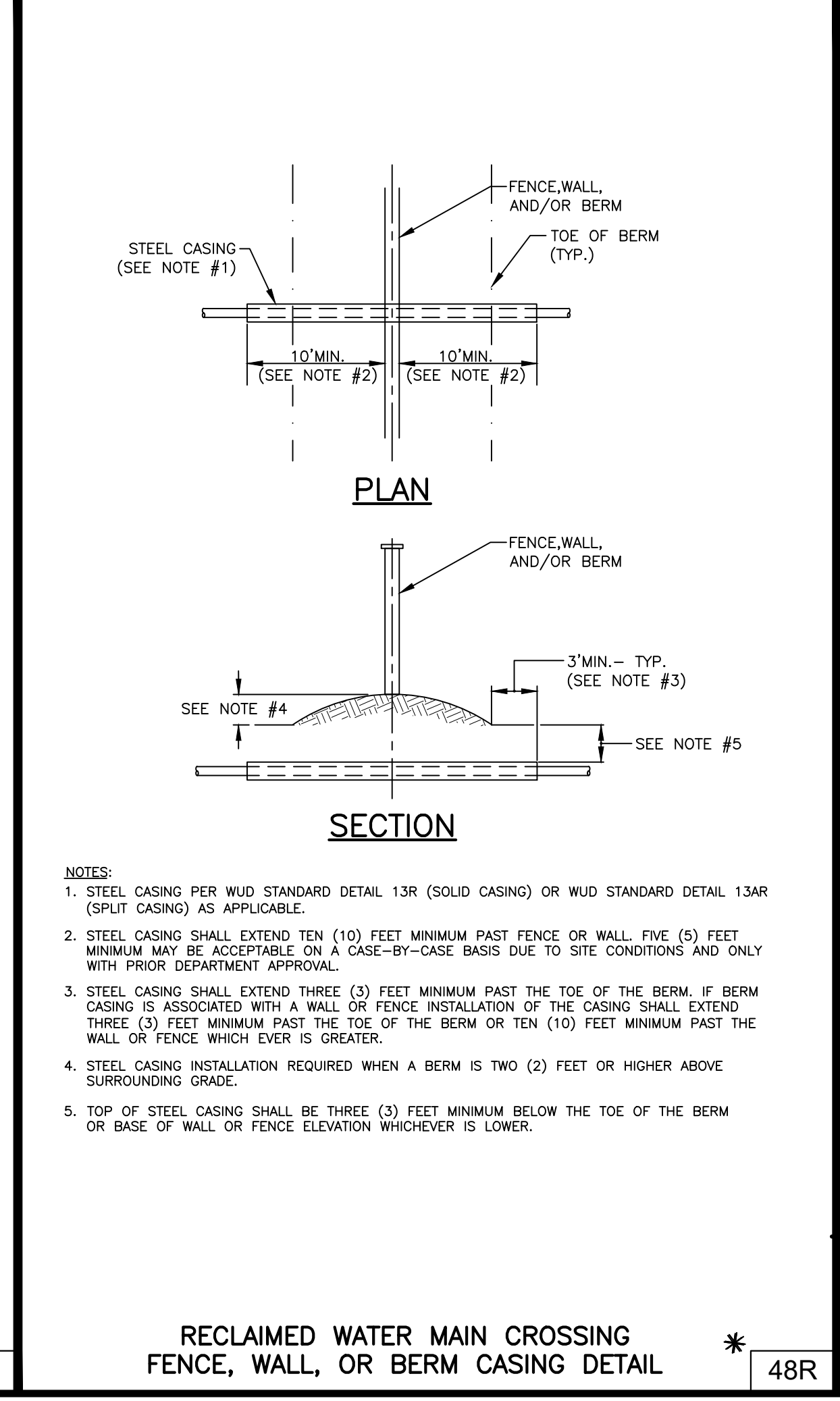
RECLAIMED WATER SYSTEM PLC INPUT/OUTPUT WIRING 43-44R



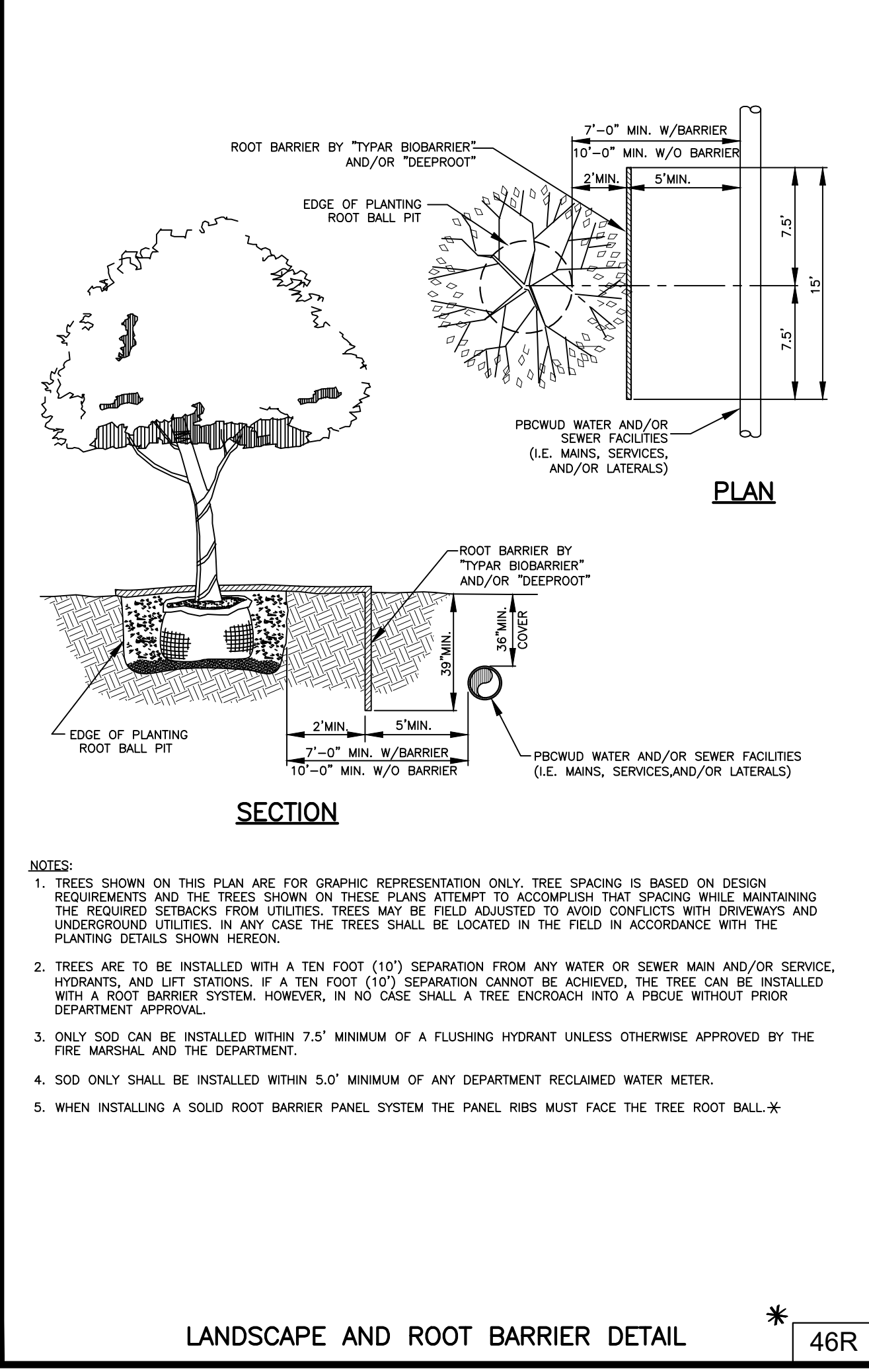
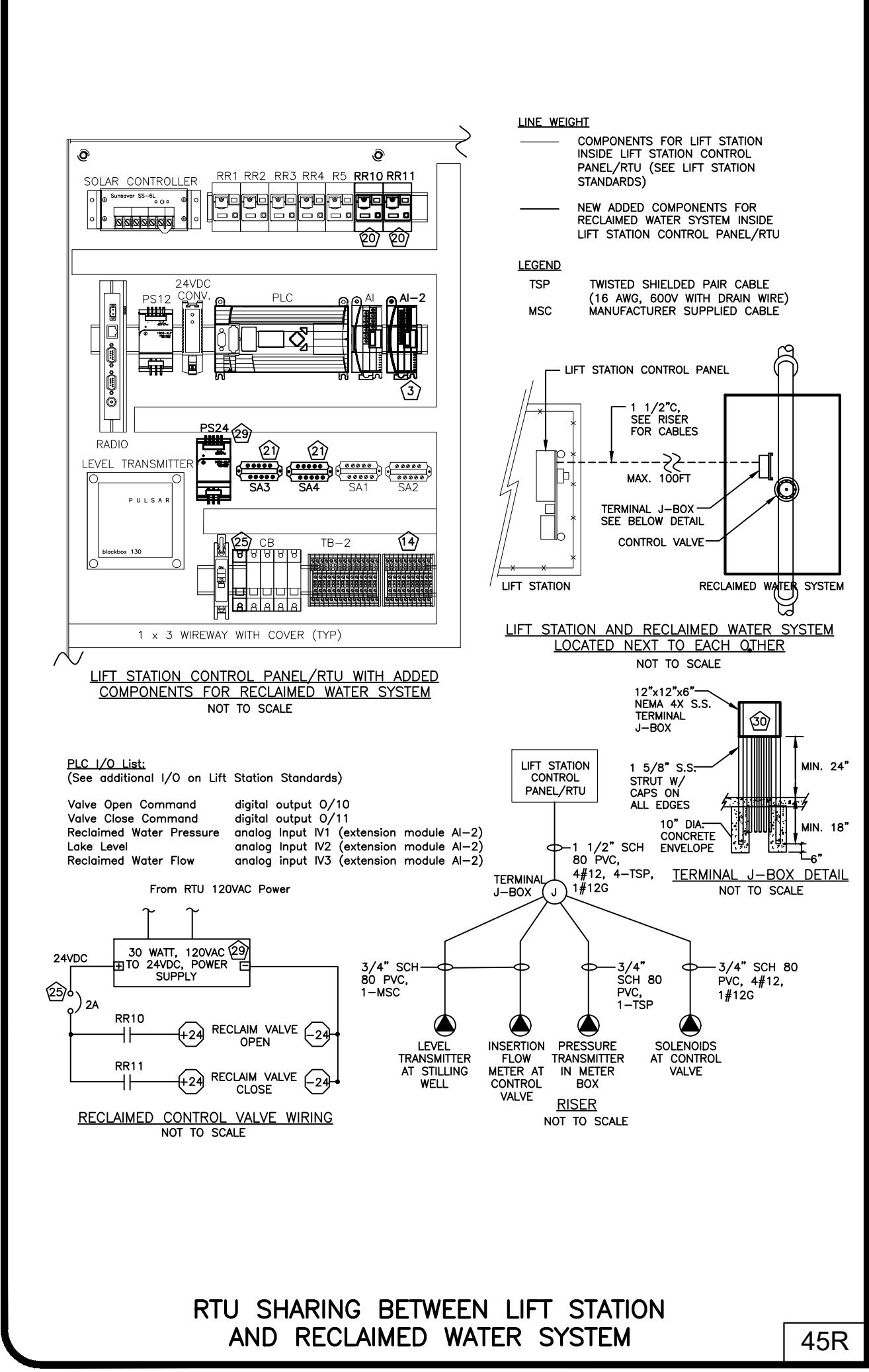
RECLAIMED WATER SYSTEM RTU ANTENNA AND PANEL MOUNTING DETAIL 41R



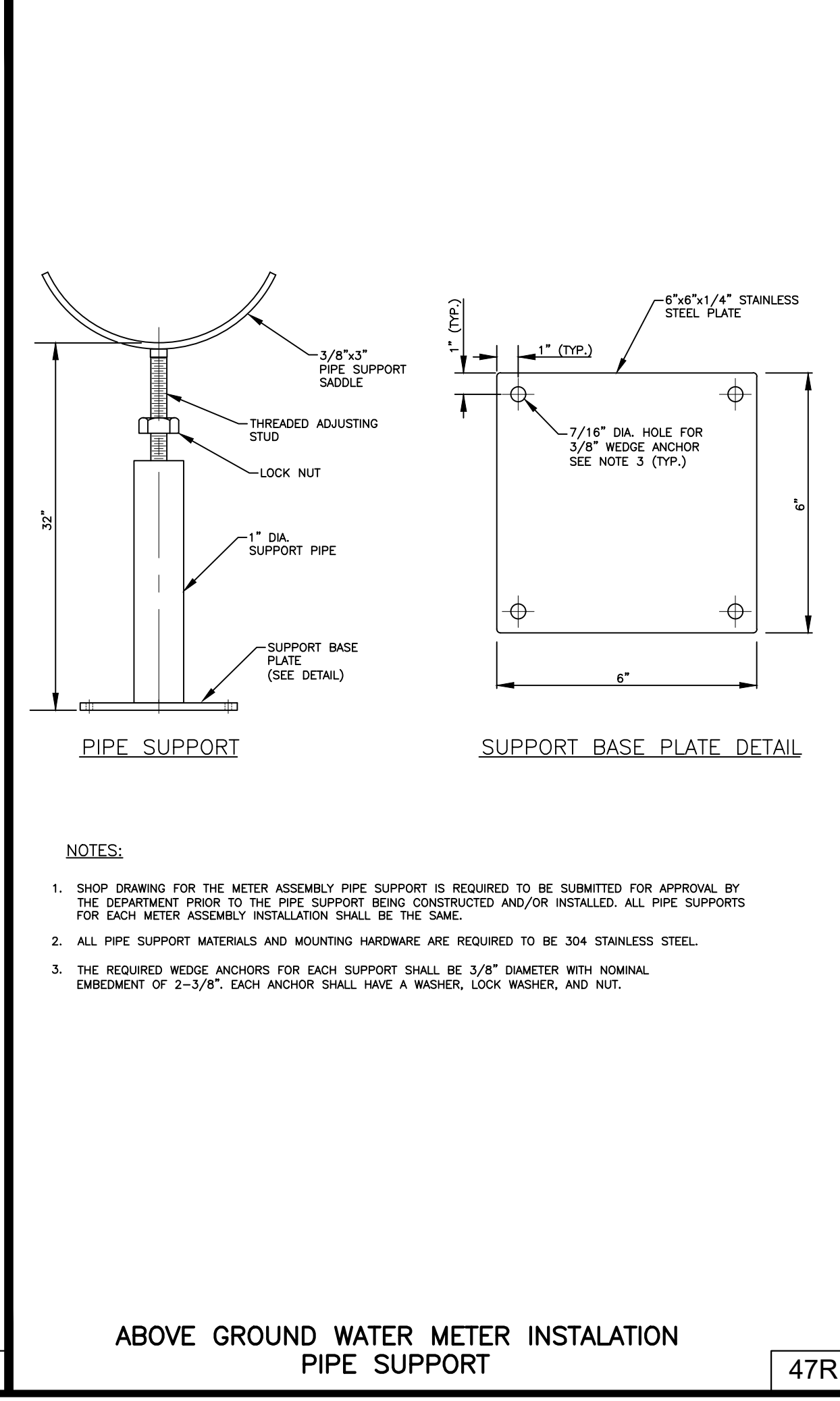
RECLAIMED WATER SYSTEM ELECTRICAL LAYOUT 42R



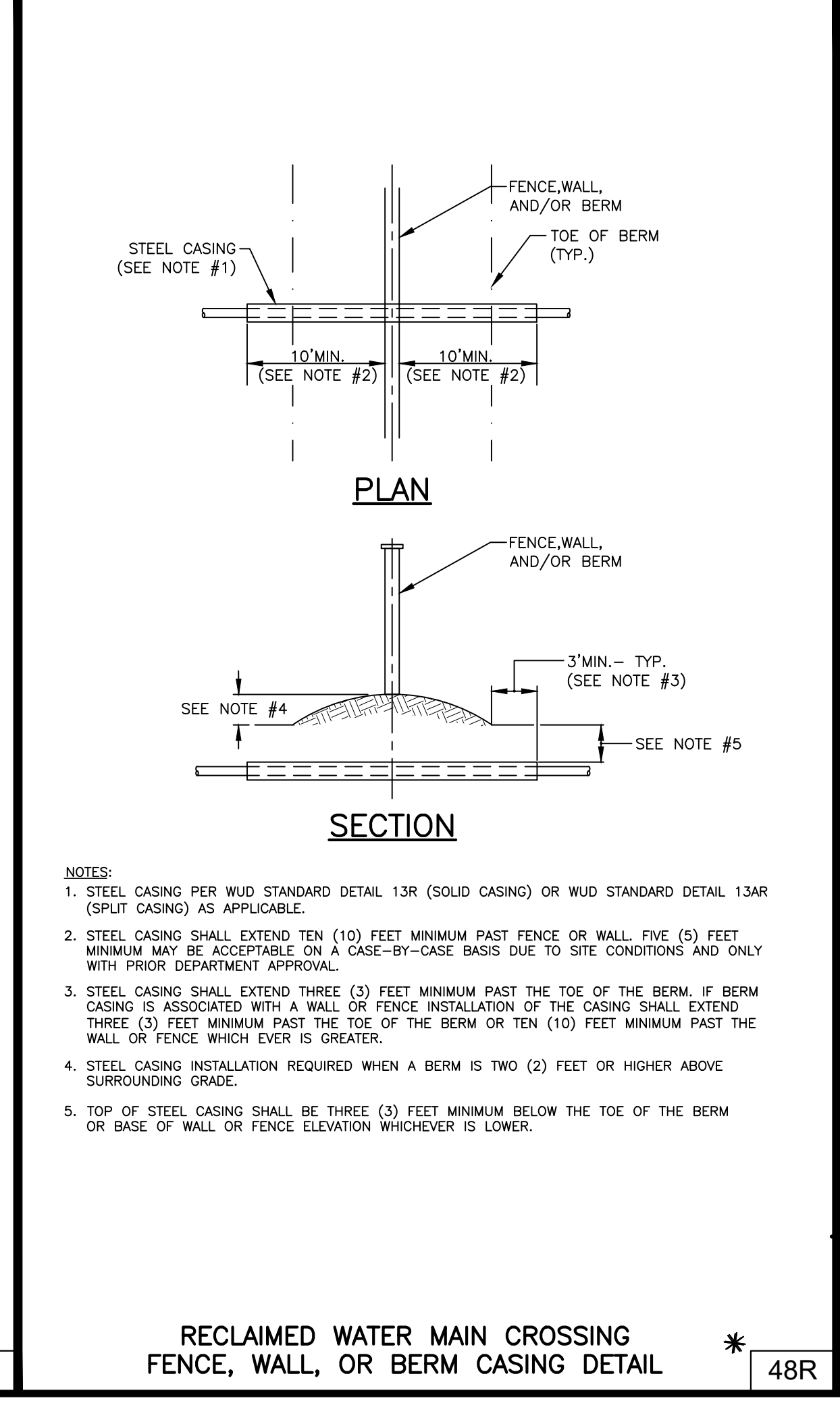
RECLAIMED WATER SYSTEM PLC INPUT/OUTPUT WIRING 43-44R



LANDSCAPE AND ROOT BARRIER DETAIL 46R



PIPE SUPPORT AND SUPPORT BASE PLATE DETAIL 47R



RECLAIMED WATER MAIN CROSSING FENCE, WALL, OR BERM CASING DETAIL 48R

RECLAIMED WATER SYSTEM RTU CONTROL PANEL POWER WIRING DIAGRAM 40R

RECLAIMED WATER SYSTEM RTU ANTENNA AND PANEL MOUNTING DETAIL 41R

RECLAIMED WATER SYSTEM ELECTRICAL LAYOUT 42R

RECLAIMED WATER SYSTEM PLC INPUT/OUTPUT WIRING 43-44R